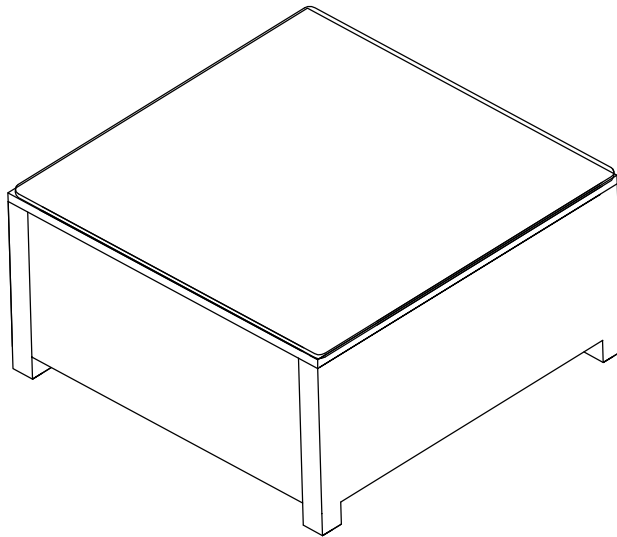


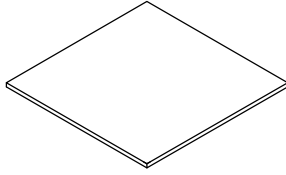
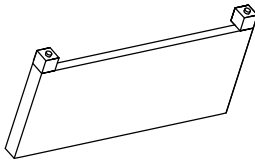
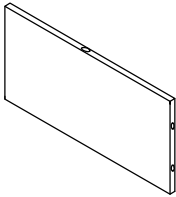
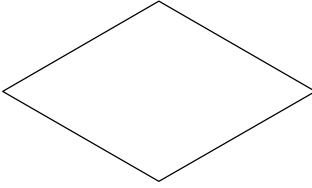


Biltmore Outdoor Wicker Sectional Glass Top Coffee Table

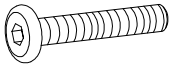
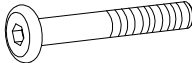
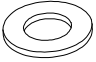
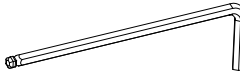
CO7207-WB



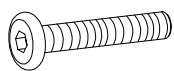
PART LIST

 <p>Wicker Top</p>		 <p>Side Panel</p>	
A	1PC	B	2PCS
 <p>End Panel</p>		 <p>Glass Top</p>	
C	2PCS	D	1PC

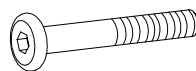
HARDWARE LIST

 <p>Short Bolt(M6*40mm)</p>		 <p>Long Bolt(M6*50mm)</p>	
E	6PC	F	8PCS
 <p>Washer(M6mm)</p>		 <p>Allen Key(M6mm)</p>	
G	14PCS	H	1PCS

EXTRA HARDWARE LIST



E X2PC



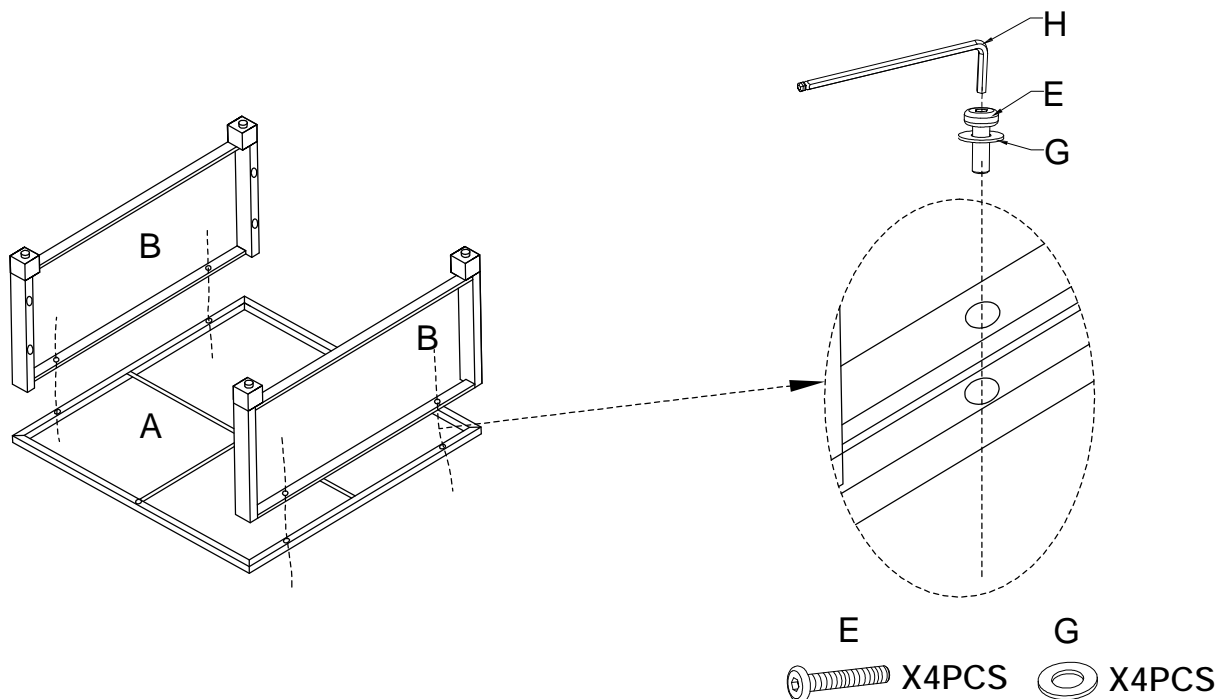
F X2PCS



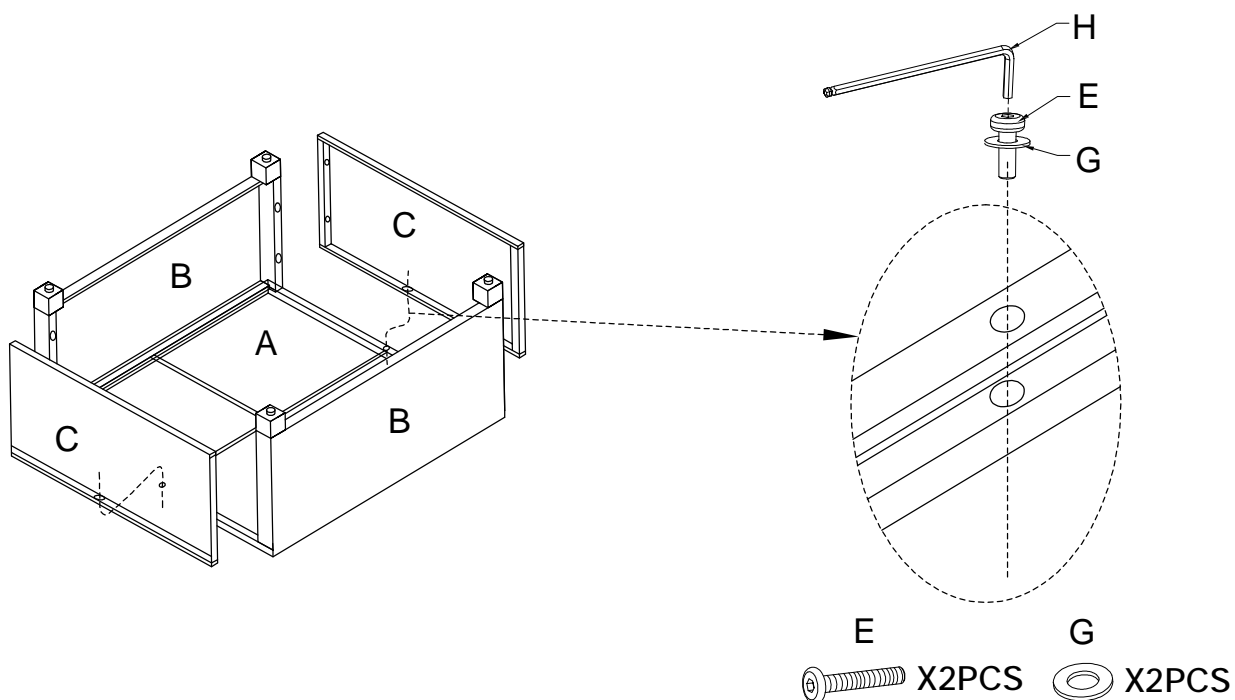
G X3PCS

Step 1. Lay wicker Top (A) on a flat surface with underside facing up. Attach Side Panels(B) to Top (A) using Short Bolts(E), Washers(G) and Allen Key (H).

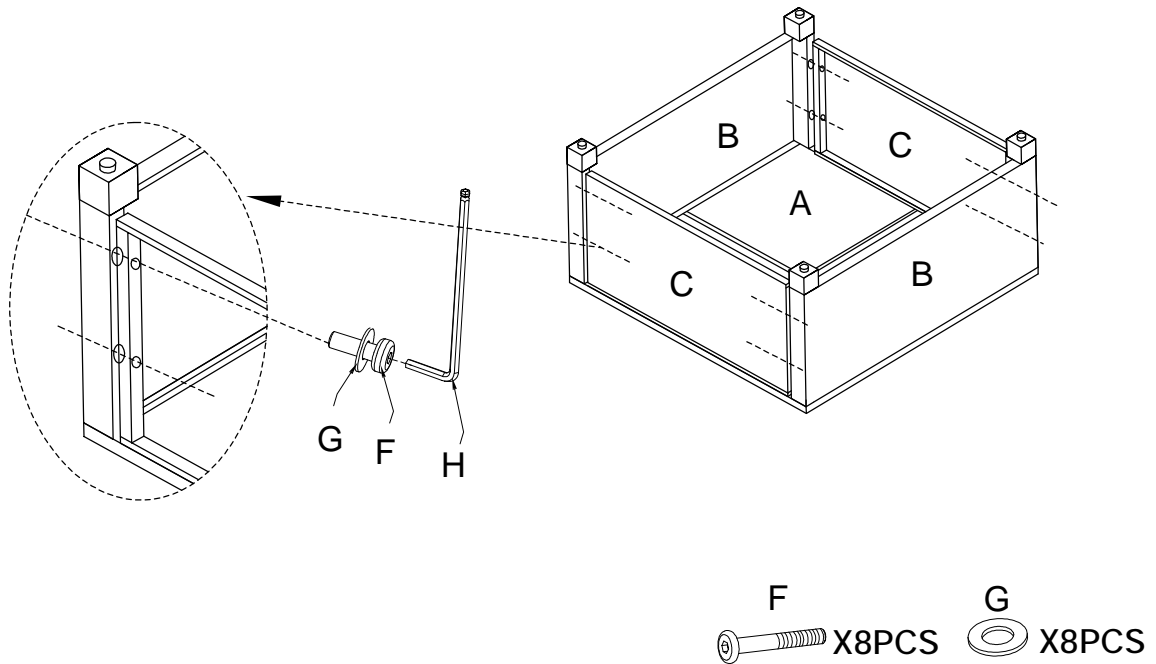
NOTE: Please do not fully tighten bolts until unit is fully assembled.



Step 2. Attach End Panels (C) to Top Panel (A) using Short Bolts(E), Washers(G) and Allen Key(H).



Step 3. Attach End Panels (C) to Side Panels (B) using Long Bolts(F), Washers(G) and Allen Key(H).



Step 4. Turn the table upright and place the glass on the table top.

